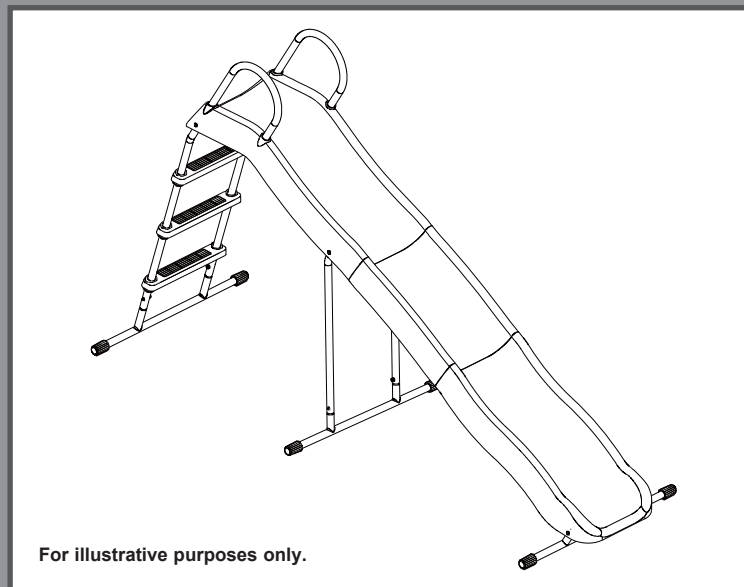


## IMPORTANT SAFETY RULES

Please read, understand, and follow all instructions carefully before installing and using this product. Keep for future reference.

# FREESTANDING SLIDE



Do not forget to try these other fine Intex products: pools, pool accessories, in-home toys, airbeds and boats available at fine retailers or visit our website.

Due to a policy of continuous product improvement, Intex reserves the right to change specifications and appearance, which may result in updates to the instruction manual without notice.

# INTEX®

©2024 Intex Marketing Ltd. - Intex Development Co. Ltd. - Intex Recreation Corp. All rights reserved/Tous droits réservés/Todos los derechos reservados/Alle Rechte vorbehalten. Printed in China/Imprimé en Chine/Impreso en China/Gedruckt in China.

®™ Trademarks used in some countries of the world under license from/®™ Marques utilisées dans certains pays sous licence de/Marcas registradas utilizadas en algunos países del mundo bajo licencia de/Warenzeichen verwendet in einigen Ländern der Welt in Lizenz von/Intex Marketing Ltd. to/à/a/an Intex Development Co. Ltd., Hong Kong & Intex Recreation Corp., P.O. Box 1440, Long Beach, CA 90801 • Distributed in the European Union by/Distribué dans l'Union Européenne par/Distribuido en la unión Europea por/Vertrieb in der Europäischen Union durch/Intex Trading B.V., Ettenseweg 46, 4706 PB Roosendaal – The Netherlands • Distributed in the UK by Unitex Service (UK) Limited, 21 Holborn Viaduct, London EC1A 2DY, UK.  
www.intexcorp.com

## TABLE OF CONTENTS

|  |              |
|--|--------------|
| <b>Warning.....</b>                                      | <b>3</b>     |
| <b>Parts.....</b>  | <b>4-6</b>   |
| <b>Set-up.....</b>                                       | <b>7-15</b>  |
| <b>Assembly preparation.....</b>                         | <b>7</b>     |
| <b>Assembly of slides.....</b>                           | <b>8-10</b>  |
| <b>Assembly of slides and lower leg.....</b>             | <b>11</b>    |
| <b>Assembly of support legs and lower leg.....</b>       | <b>12</b>    |
| <b>Assembly of support legs and slides.....</b>          | <b>12</b>    |
| <b>Assembly of upper legs.....</b>                       | <b>13-14</b> |
| <b>Assembly of upper legs and lower leg.....</b>         | <b>14</b>    |
| <b>Assembly of upper legs, slides and top rails.....</b> | <b>15</b>    |
| <b>Maintenance.....</b>                                  | <b>16</b>    |
| <b>Warranty.....</b>                                     | <b>17</b>    |

**SAVE THESE INSTRUCTIONS**

# IMPORTANT SAFETY RULES

Observing the following statements and warnings reduces the likelihood of serious or fatal injury.  
Review these safety rules regularly with your children.

## READ AND FOLLOW ALL INSTRUCTIONS

### **WARNING**

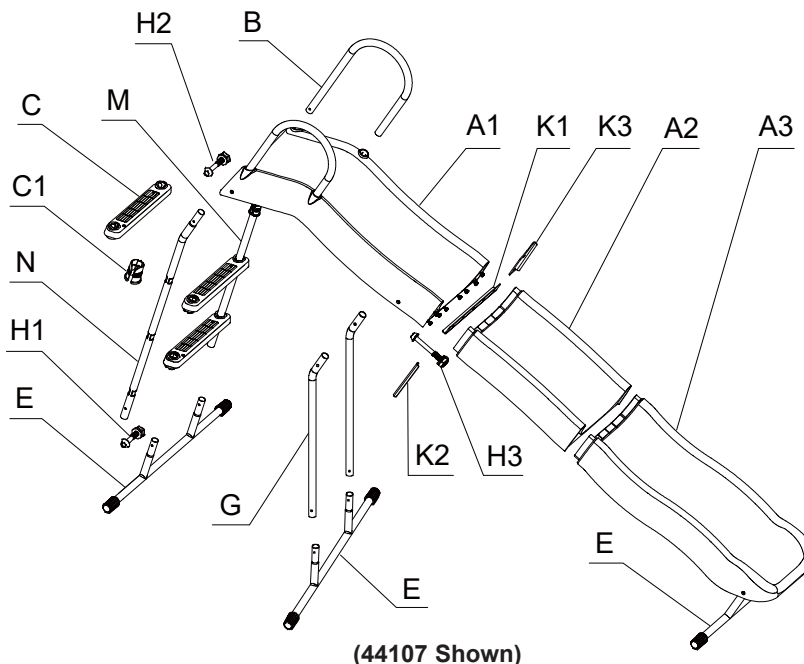
- Before you assemble this product, find a level ground site with at least 2m (6ft) of clearance from any structure or obstruction. This product must have 2m (6ft) clearance on all sides.
- This product is for family domestic outdoor use only. Not designed for use in day care, nurseries, commercial or other public places.
- Continuous and competent adult supervision of children is required at all times when on or around this product. Never leave children unattended.
- Locate the product on a level, solid base. Do not install the product on mud, sand, soft or loose soil condition, as the product may sink, lean to one side and become unstable.
- Never jump from this product.
- This product is designed for use by children from ages 3 to 10 years under adult supervision.
- Only one child on this product at a time with a maximum weight of 50 kg (110 lbs). Do not exceed the intended weight limit or the maximum number of users for this product.
- Only for domestic use. This product is to be assembled and disassembled by adults only.
- Check all nuts and bolts regularly to ensure product stays sturdy.
- To prevent serious injury, do not allow children to use this product until it is completely assembled.
- Do not install home playground equipment over concrete, asphalt, packed earth, grass, carpet, or any other hard surface. A fall onto a hard surface can result in serious injury or death to the equipment user.
- Closely assist children with use of this product until they have adequate strength, skills and comfort level for safe use without assistance.
- Do not allow children to use this product in a manner other than intended.
- Ensure children are dressed appropriately. Wearing loose-fitting shoes and clothing such as scarfs and ponchos are potentially hazardous while using this product.
- Product may become slippery when wet or during bad weather, such as rain, snow, ice, etc. Do not allow children to use this product under such conditions.
- Do not allow children to attach any items to this product that are not specifically designed for use with the equipment, such as, but not limited to, jump ropes, clotheslines, pet leashes, cables and chain as they may cause a strangulation hazard.
- Warn children to remove their bike or other sports helmet before using this product.
- Do not allow children to hang from any structural members of this product.
- Do not modify this product and/or use accessories not supplied by the manufacturer.
- Check the warning label regularly to ensure the legibility of the warning label.
- Locate the slide out of direct sunlight to reduce the likelihood of scalding. A product that faces north will receive the least direct sunlight.
- Do not allow children to slide head first or backwards. Do not allow children to walk or run up the slide.

**FAILURE TO FOLLOW THESE WARNINGS MAY RESULT IN PROPERTY DAMAGE, SERIOUS INJURY OR DEATH.**

## SAVE THESE INSTRUCTIONS

# PARTS

Before assembling your product, please take a few minutes to check the contents and become familiar with all the parts.

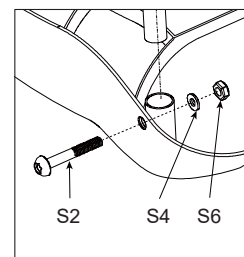


**NOTE:** Drawings for illustration purpose only. Not to scale.

| REF. NO. | DESCRIPTION                | MODEL 44106 |          | MODEL 44107 |          |
|----------|----------------------------|-------------|----------|-------------|----------|
|          |                            | QTY.        | PART NO. | QTY.        | PART NO. |
| A1       | Top slide                  | 1           | 13388    | 1           | 13388    |
| A2       | Middle slide               | -           | -        | 1           | 13389    |
| A3       | Bottom slide               | 1           | 13390    | 1           | 13390    |
| B        | Top rail                   | 2           | 13391    | 2           | 13391    |
| C        | Step                       | 2           | 13392    | 3           | 13392    |
| C1       | Step anchor sleeve         | 4           | 13393    | 6           | 13393    |
| E        | Lower leg                  | 3           | 13396    | 3           | 13396    |
| G        | Support leg                | 2           | 13400    | 2           | 13401    |
| M        | Upper leg - M              | 1           | 13394    | 1           | 13395    |
| N        | Upper leg - N              | 1           | 12880    | 1           | 12881    |
| H1       | Short bolt set (S1+S4+S6)  | 4           | 13397    | 4           | 13397    |
| H2       | Medium bolt set (S2+S4+S6) | 6           | 13398    | 6           | 13398    |
| H3       | Long bolt set (S3+S4+S6)   | 9           | 13399    | 18          | 13399    |
| K1       | Support plate              | 2           | 13402    | 4           | 13402    |
| K2       | Support plate A            | 2           | 13403    | 4           | 13403    |
| K3       | Support plate B            | 2           | 13404    | 4           | 13404    |

## Hardware Identification

The reference number is printed on the hardware box. During assembly you only need to check the reference number of the part number as noted in each step. This will make finding the correct hardware easier.



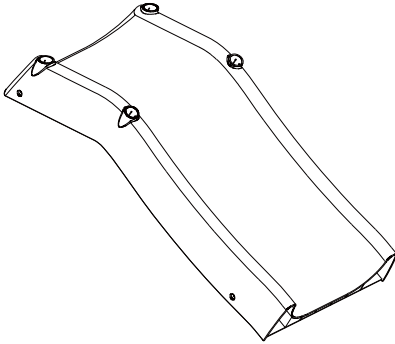
## SAVE THESE INSTRUCTIONS

## PARTS (continued)

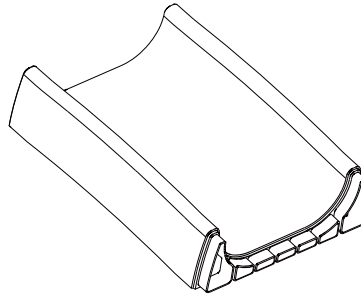
Before assembling your product, please take a few minutes to check the contents and become familiar with all the parts.

### Hardware components

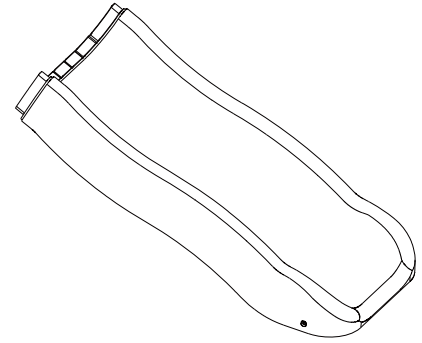
Verify that all the parts and sub-assemblies are accounted for, and carefully arrange the parts per below drawings.



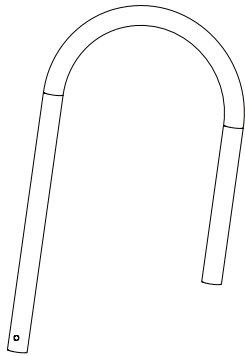
**[A1]** Top slide



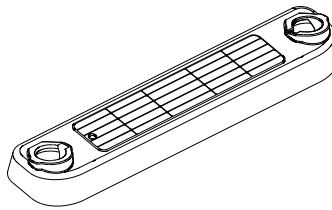
**[A2]** Middle slide



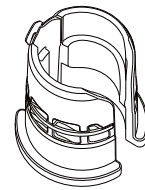
**[A3]** Bottom slide



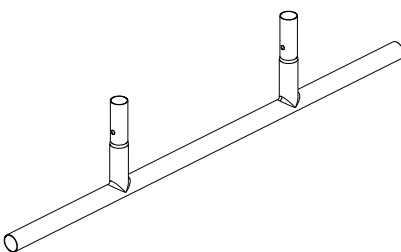
**[B]** Top rail



**[C]** Step



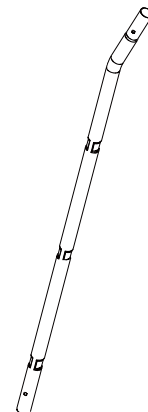
**[C1]** Step anchor sleeve



**[E]** Lower leg



**[G]** Support leg



**[M & N]** Upper leg

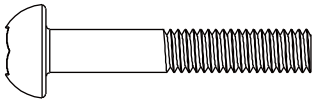
## SAVE THESE INSTRUCTIONS

## PARTS (continued)

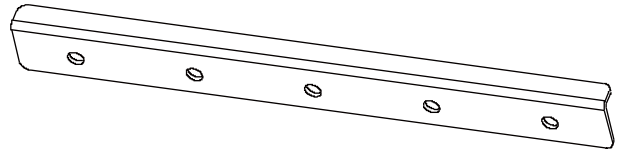
Before assembling your product, please take a few minutes to check the contents and become familiar with all the parts.

### Hardware components

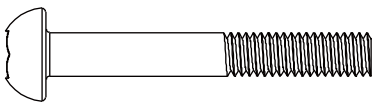
Verify that all the parts and sub-assemblies are accounted for, and carefully arrange the parts per below drawings.



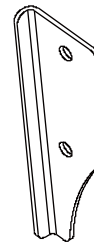
[S1] Short bolt M6 x 35mm



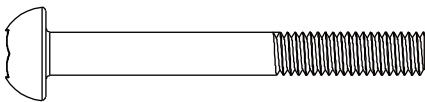
[K1] Support plate



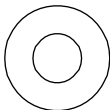
[S2] Medium bolt M6 x 40mm



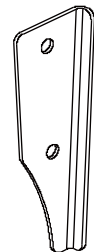
[K2] Support plate A



[S3] Long bolt M6 x 50mm



[S4] Flat washer Ø6 mm



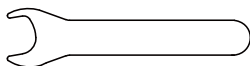
[K3] Support plate B



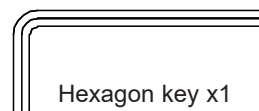
[S6] Nut M6

### Tools required for installation:

One (1) wrench and one (1) hexagon key (included tools). Tape measure and level tool (tools not included).



Wrench x1  
(included)



Hexagon key x1  
(included)

## SAVE THESE INSTRUCTIONS

## SET UP

### Site preparation and requirements

- Place the product on level ground, with at least a 2m (6ft) space from any structure or obstruction such as a fence, garage, house, overhanging branches, laundry lines, lamp post, or electrical wires.
- Create a site free of obstacle that could cause injuries – such as tree stumps and/or roots, bricks, rocks, sprinkler heads and concrete.

## ASSEMBLY PREPARATION

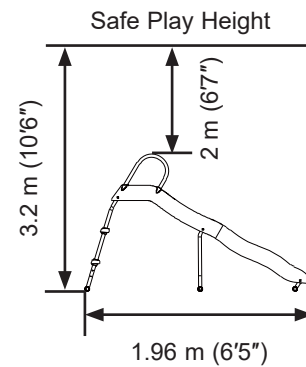
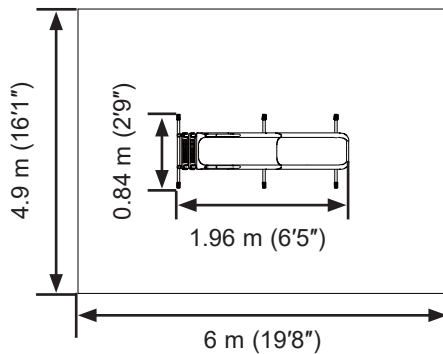
### Selecting the final location

- The area where the Slide is to be set up must be absolutely flat and level. Do not set up the product on a slope or inclined surface.

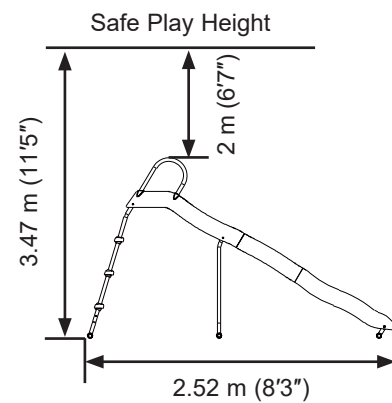
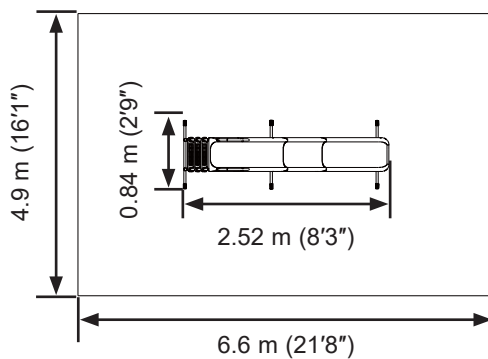
### General Information:

- Maximum load: 50 kg (110 lbs).
- Detailed dimension please refer to following:

44106:



44107:



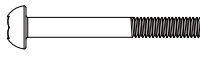




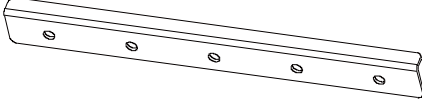
### Preparing the Slide for assembly

- Transport the carton to the final site.
  - A minimum of two adults is required for the assembly of the product.
- NOTE:** Follow the instructions step by step for a correct assembly. Failure to do so may result in incorrect assembly.

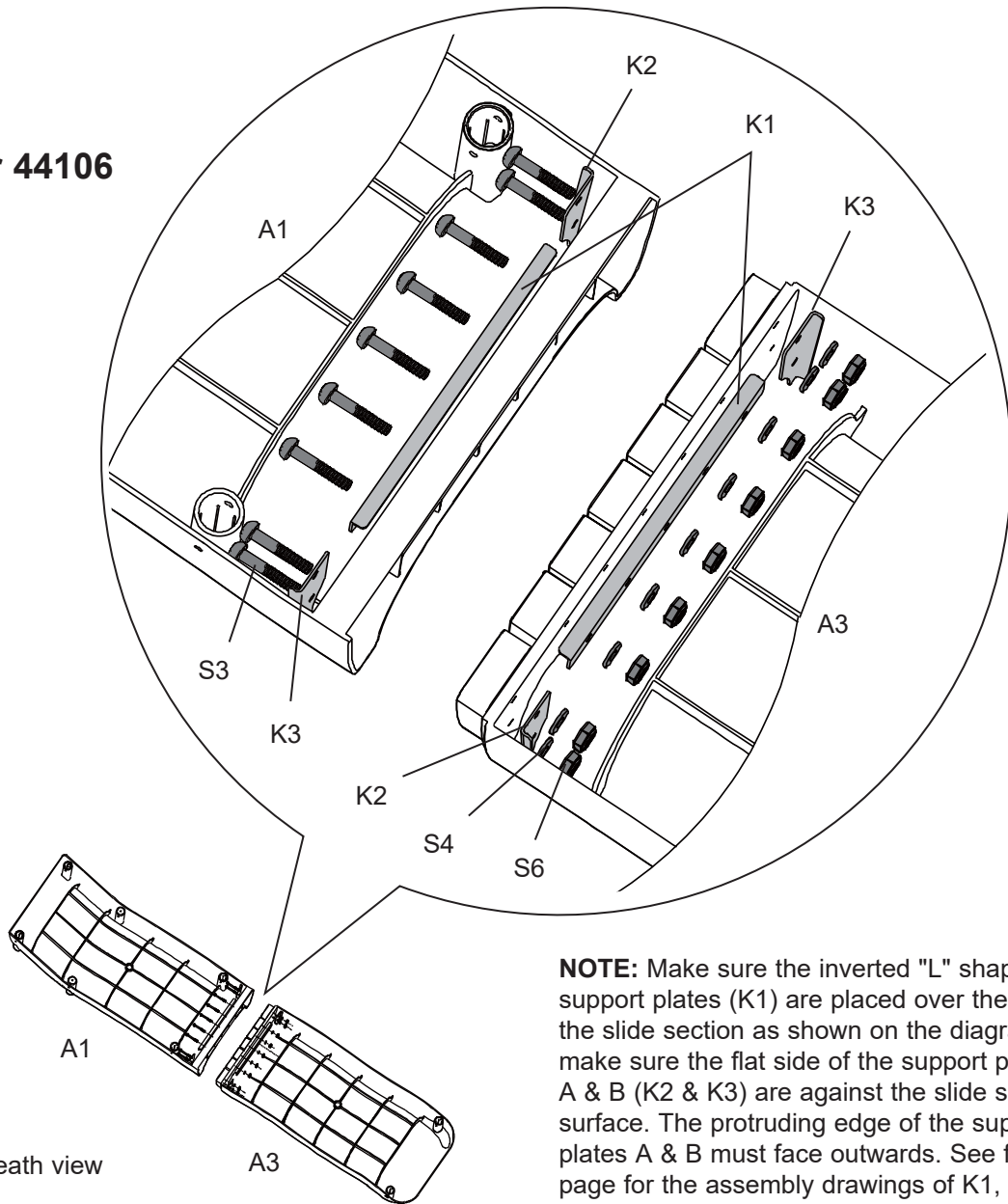
## SAVE THESE INSTRUCTIONS

# SET UP (continued)

## ASSEMBLY OF SLIDES

|  |  |  |  |  |
|--|--|--|--|--|
| S3 (x9)<br> | S4 (x9)<br> | S6 (x9)<br> | K2 (x2)<br> | K3 (x2)<br> |
| K1 (x2)<br> |  |  |  |  |

For 44106

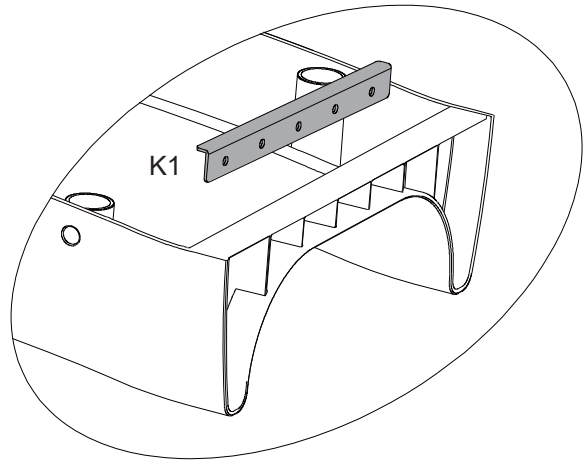
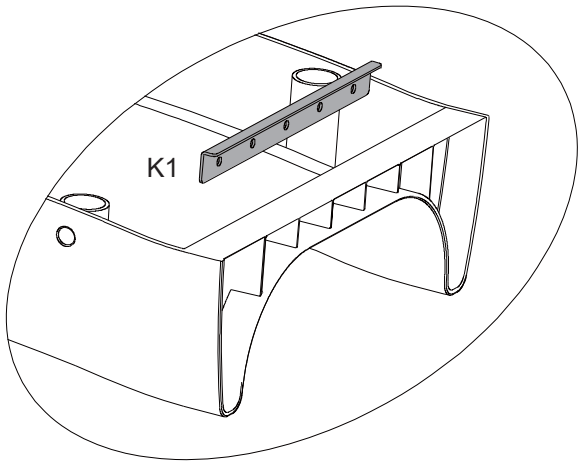


**NOTE:** Make sure the inverted "L" shape support plates (K1) are placed over the edge of the slide section as shown on the diagram. Also make sure the flat side of the support plates A & B (K2 & K3) are against the slide section surface. The protruding edge of the support plates A & B must face outwards. See following page for the assembly drawings of K1, K2 & K3.

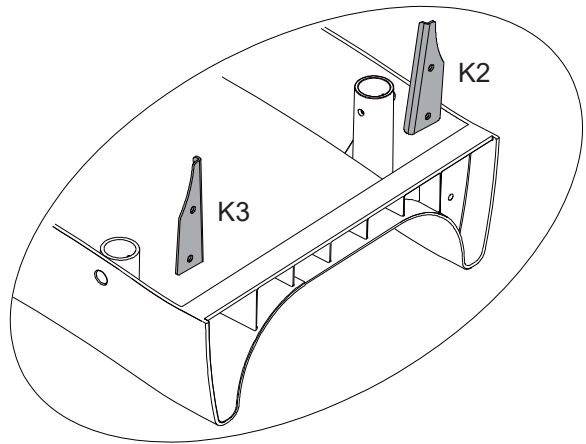
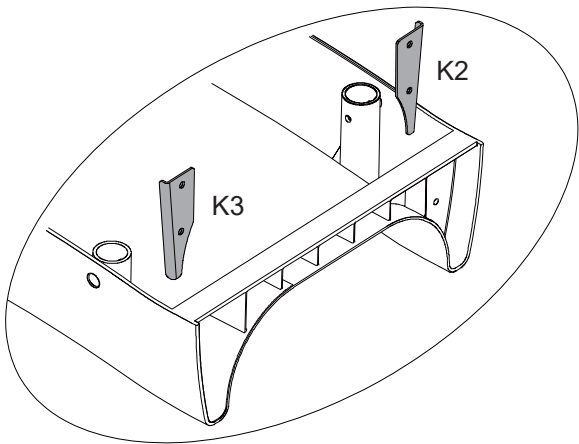
# SAVE THESE INSTRUCTIONS

## SET UP (continued)

### ASSEMBLY OF SLIDES - K1



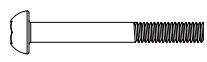




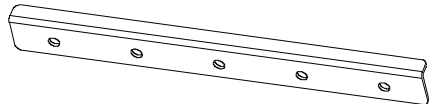
### ASSEMBLY OF SLIDES - K2 & K3



**SAVE THESE INSTRUCTIONS**

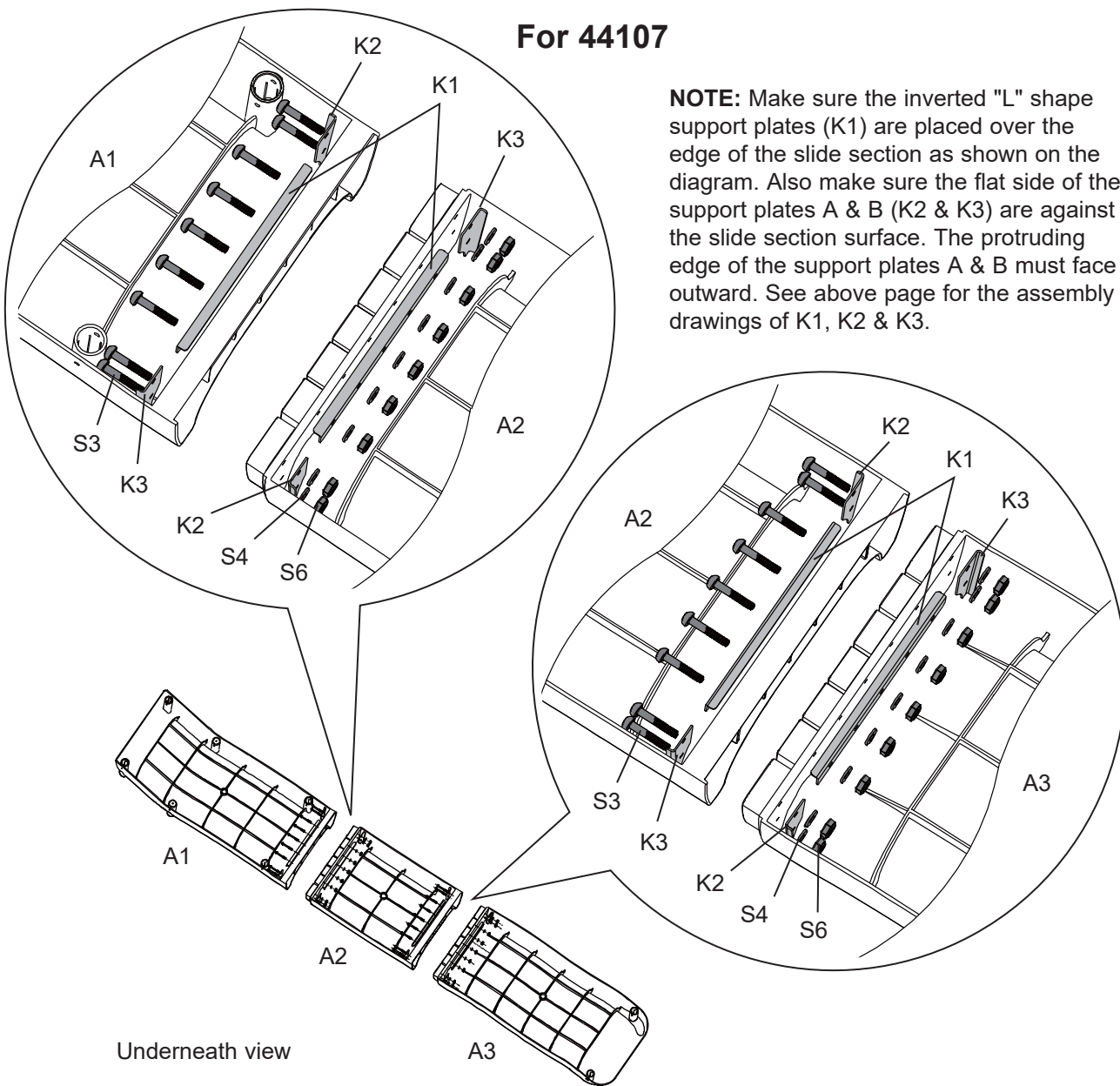
# SET UP (continued)

## ASSEMBLY OF SLIDES

|   |   |   |  |  |
|---|---|---|--|--|
| S3 (x18)<br> | S4 (x18)<br> | S6 (x18)<br> | K2 (x4)<br> | K3 (x4)<br> |
| K1 (x4)<br>  |   |   |  |  |

For 44107




**NOTE:** Make sure the inverted "L" shape support plates (K1) are placed over the edge of the slide section as shown on the diagram. Also make sure the flat side of the support plates A & B (K2 & K3) are against the slide section surface. The protruding edge of the support plates A & B must face outward. See above page for the assembly drawings of K1, K2 & K3.

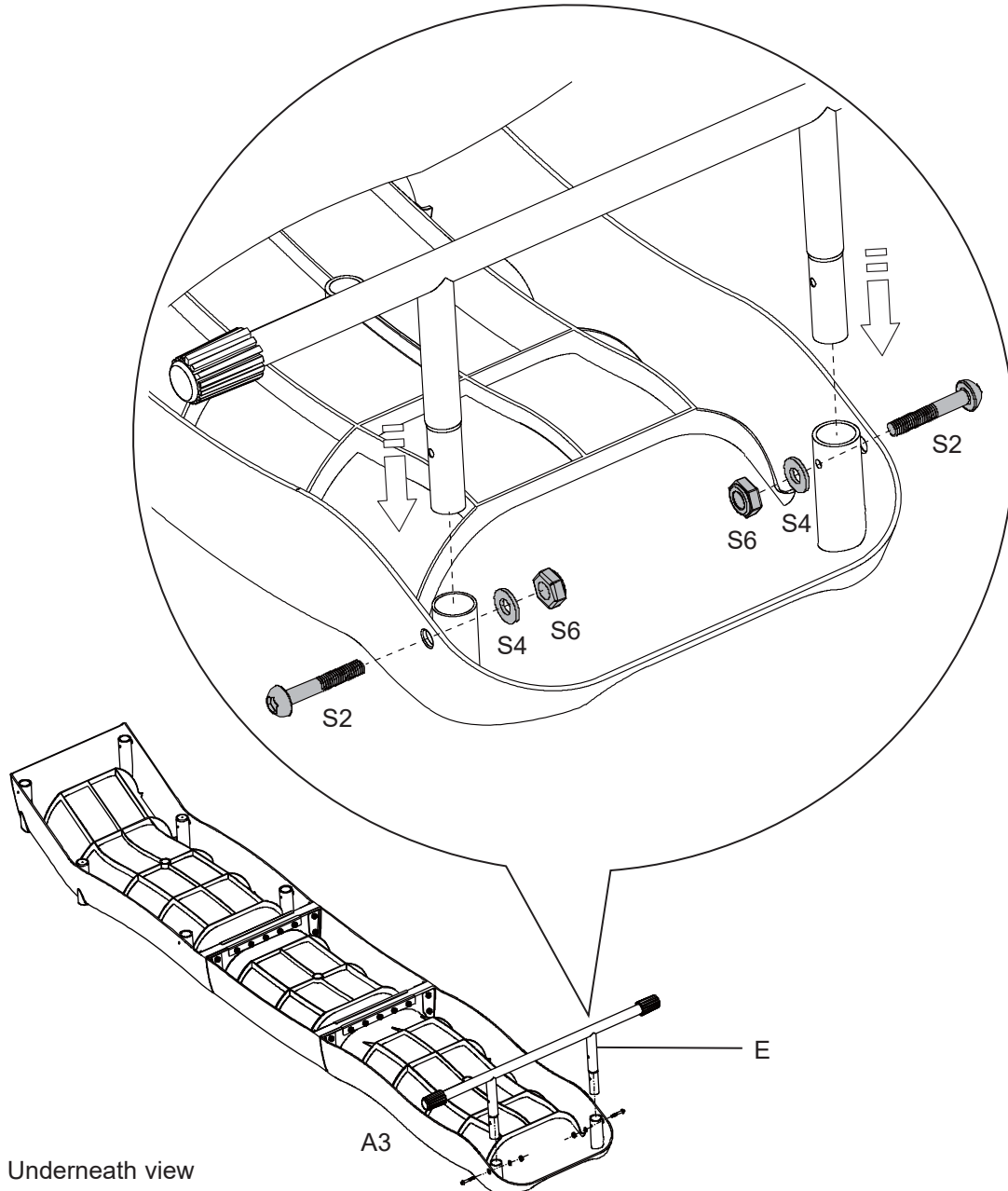


**SAVE THESE INSTRUCTIONS**

# SET UP (continued)

## ASSEMBLY OF SLIDES AND LOWER LEG

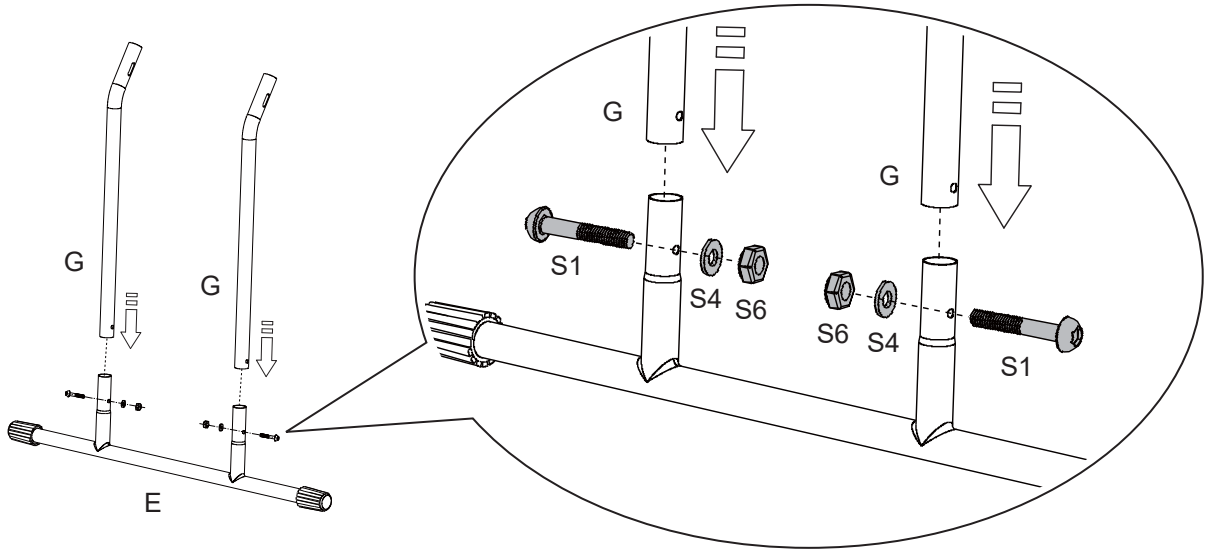
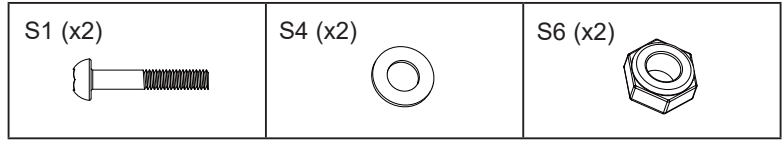
|  |  |  |
|--|--|--|
| S2 (x2)<br> | S4 (x2)<br> | S6 (x2)<br> |
|--|--|--|



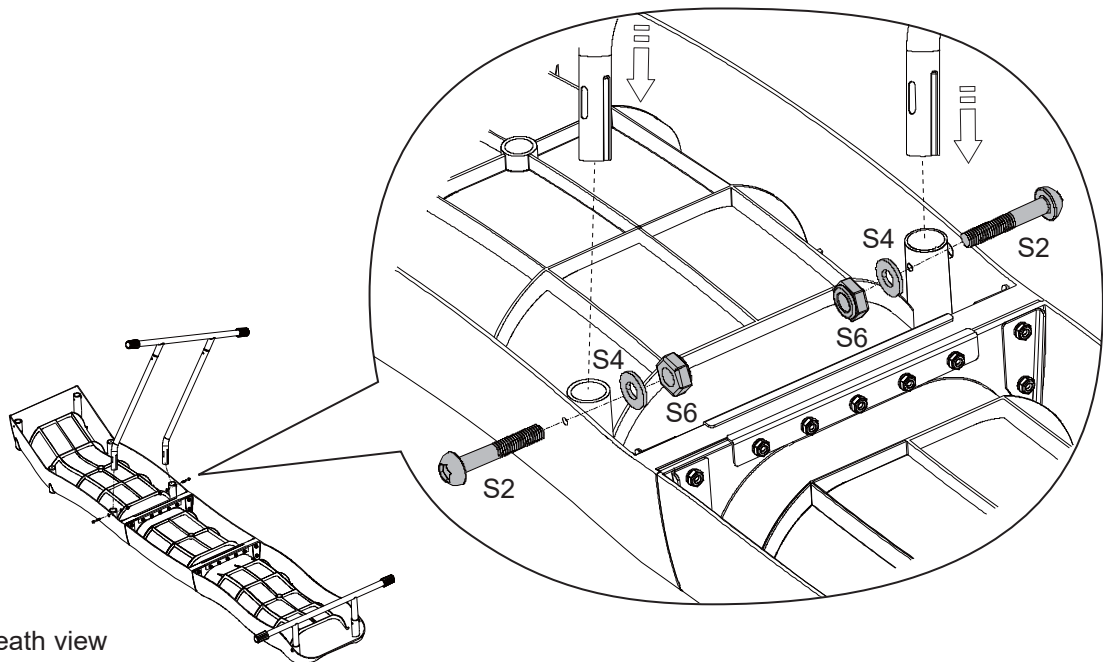
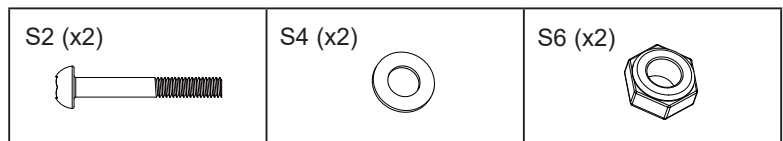
**SAVE THESE INSTRUCTIONS**

# SET UP (continued)

## ASSEMBLY OF SUPPORT LEGS AND LOWER LEG



## ASSEMBLY OF SUPPORT LEGS AND SLIDES

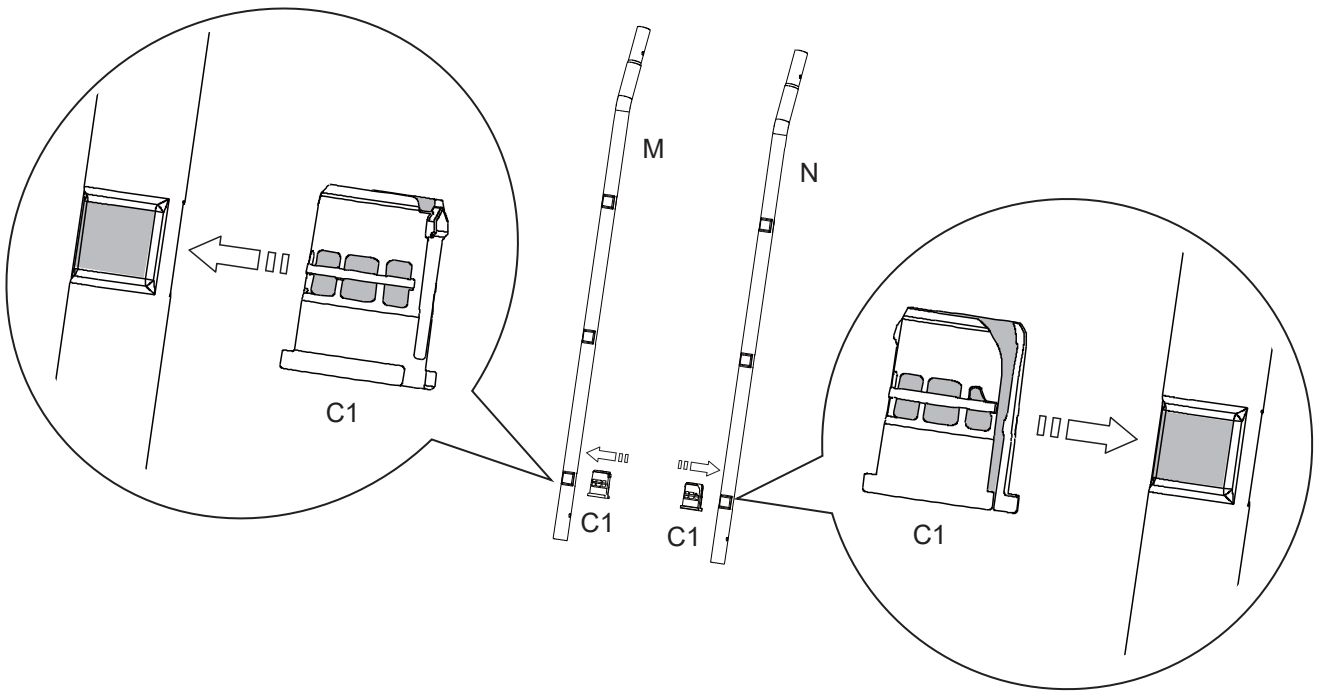


Underneath view

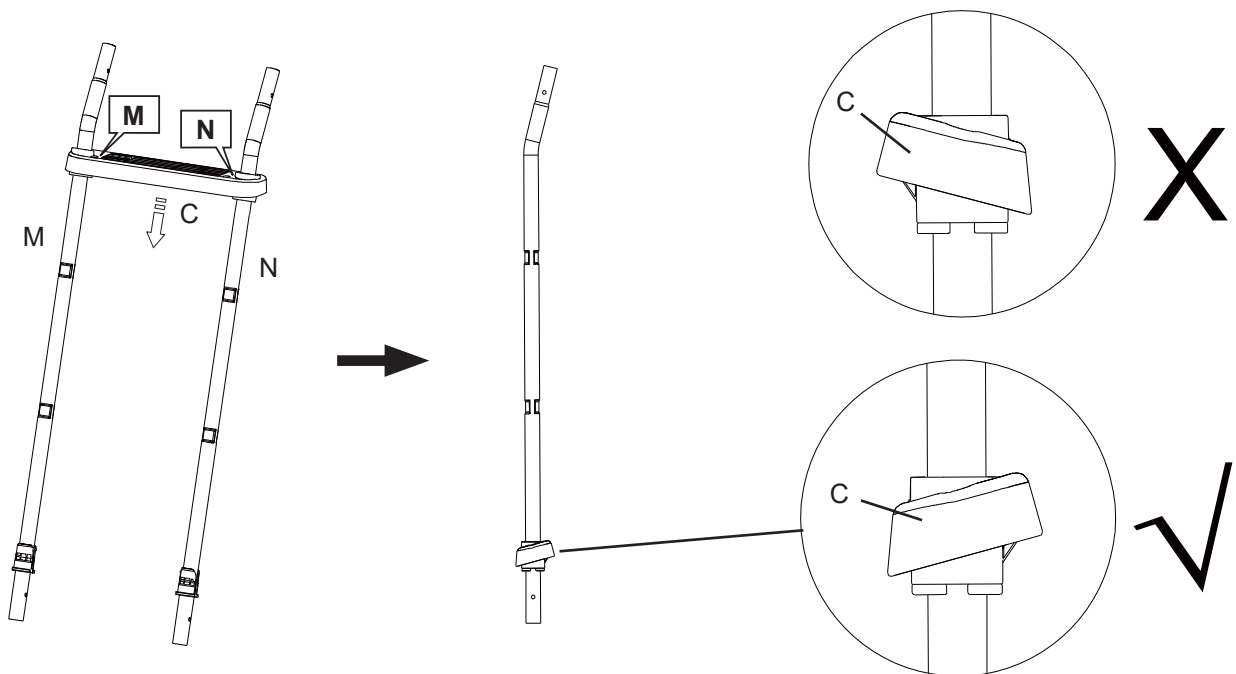
# SAVE THESE INSTRUCTIONS

## SET UP (continued)

### ASSEMBLY OF UPPER LEGS - Step anchor sleeve (C1)



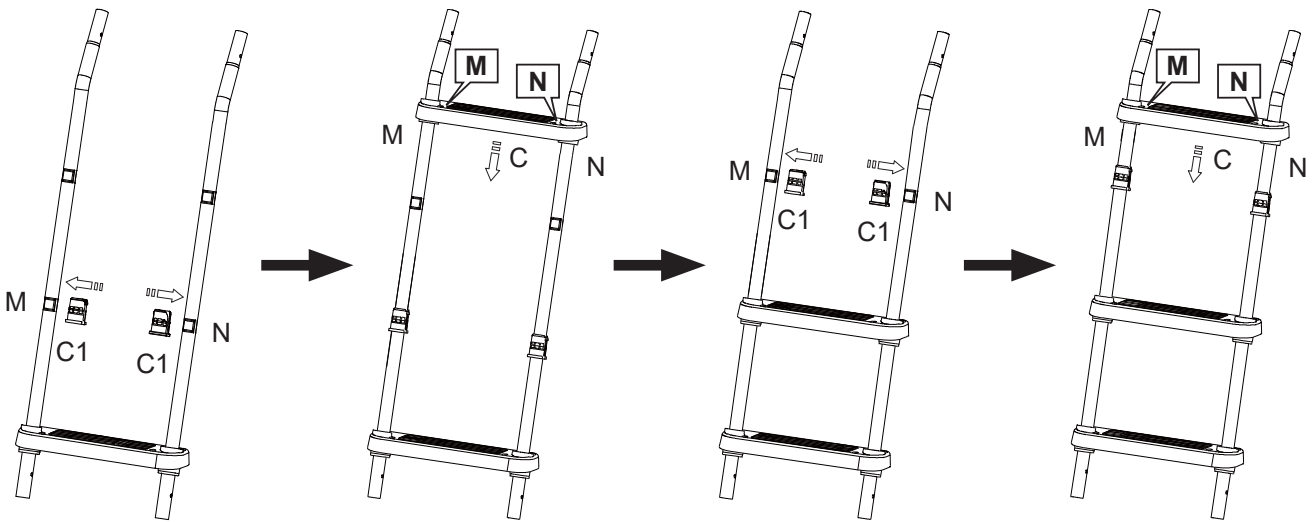
### ASSEMBLY OF UPPER LEGS - Step (C)



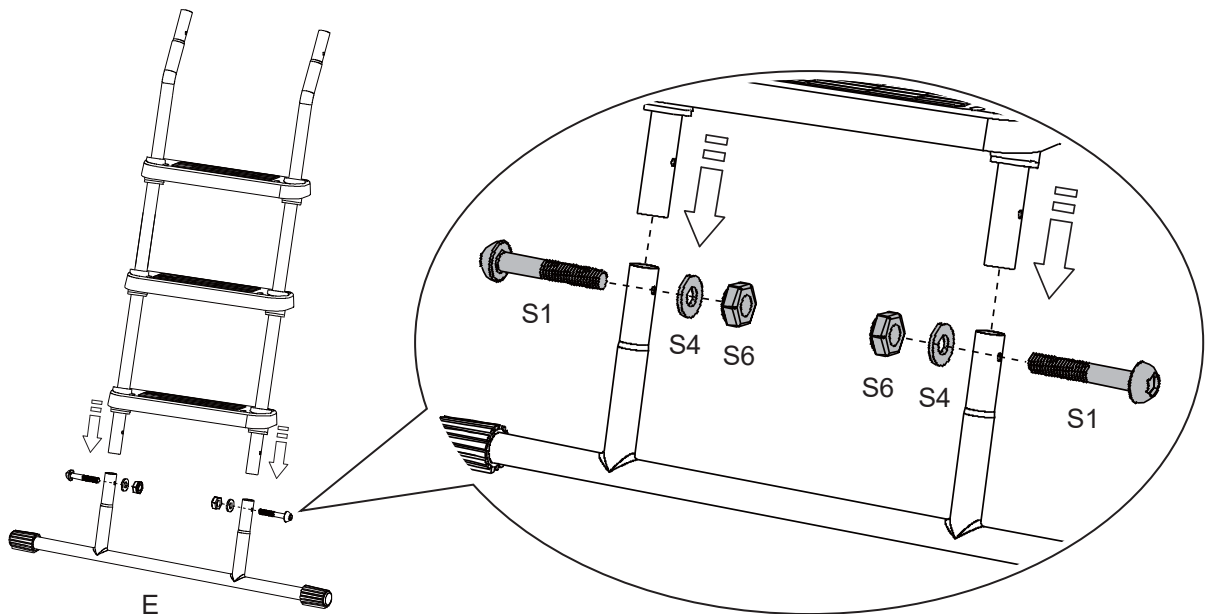
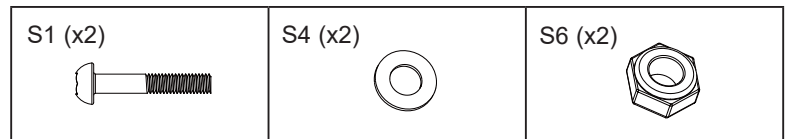
**SAVE THESE INSTRUCTIONS**

## SET UP (continued)

### ASSEMBLY OF UPPER LEGS (continued)






### ASSEMBLY OF UPPER LEGS AND LOWER LEG

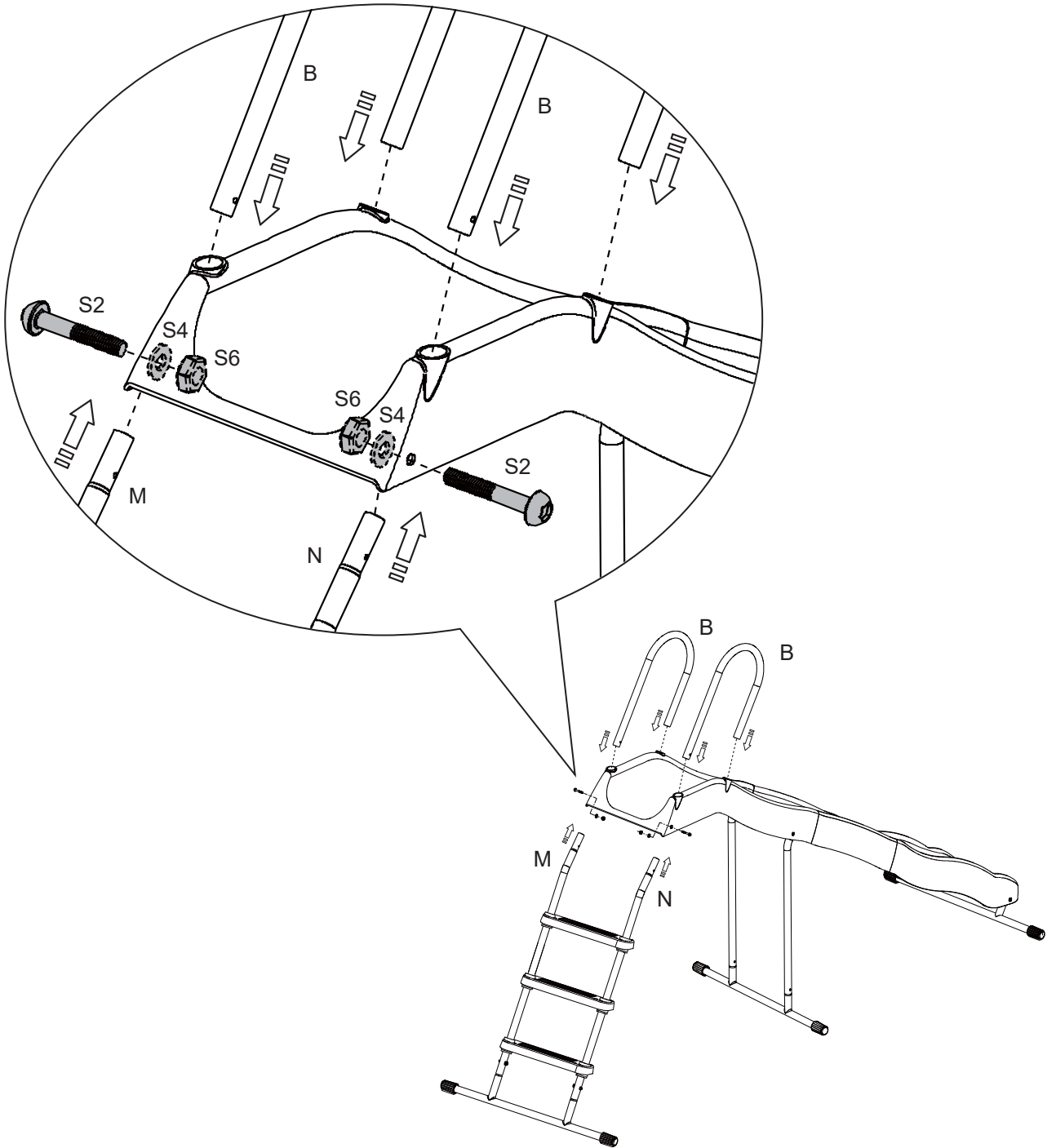


**SAVE THESE INSTRUCTIONS**

# SET UP (continued)

## ASSEMBLY OF UPPER LEGS, SLIDES AND TOP RAILS

|  |  |  |
|--|--|--|
| S2 (x2)<br> | S4 (x2)<br> | S6 (x2)<br> |
|--|--|--|



**SAVE THESE INSTRUCTIONS**

## MAINTENANCE

**IT IS IMPORTANT TO CHECK AND TIGHTEN ALL HARDWARE AT THE BEGINNING AND DURING THE SEASON.**

**At the beginning of each play season:**

- Tighten all hardware.
- Check all protective coverings on bolts, pipes, edges, and corners. Replace if they are loose, cracked, or missing.
- Check metal parts for rust. If found, sand and repaint using a nonlead-based paint meeting the requirements of 16 CFR 1303.

**Twice a month during play season:**

- Tighten all hardware.
- Check all protective coverings on bolts, pipes, edges, and corners. Replace if they are loose, cracked, or missing.

**Owners shall be responsible for maintaining the legibility of the warning labels.**

**Disposal instructions:**

- Disassemble and dispose of the playground equipment in such a way that no unreasonable hazards will exist at the time the equipment is discarded. Follow all local disposal requirements.
- Fully disassemble the entire frame. Do not leave partially disassembled parts in areas accessible by children.
- Should you wish to recycle the steel tubing, take the frame to your local recycling center.
- All plastic parts can be recycled, take it to your local recycling center.
- Do not let children play with any disassembled parts meant for disposal, such as tubing, bolts, nuts, screws, etc.
- All rusted parts, bolts must be properly disposed of. Do not reuse them.

Save this instruction and information sheet in the event that the manufacturer has to be contacted.

**SAVE THESE INSTRUCTIONS**

## LIMITED WARRANTY

Your Intex Slide has been manufactured using the highest quality materials and workmanship. All Intex products have been inspected and found free of defects prior to leaving the factory. This Limited Warranty applies to the Intex Slide only.

This limited warranty is in addition to, and not a substitute for, your legal rights and remedies. To the extent that this warranty is inconsistent with any of your legal rights, they take priority. For example, consumer laws across the European Union provide statutory warranty rights in addition to the coverage you receive from this limited warranty: for information on EU-wide consumer laws, please visit the European Consumer Center website at [http://ec.europa.eu/consumers/ecc/contact\\_en/htm](http://ec.europa.eu/consumers/ecc/contact_en/htm).

The provisions of this limited warranty apply only to the original purchaser and are not transferable. This limited warranty is valid for the period noted below from the date of the initial retail purchase. Keep your original sales receipt with this document, as proof of purchase will be required and must accompany warranty claims or the limited warranty will be invalid.

Slide Warranty – 2 Years

If you find a manufacturing defect in the Slide during the warranty periods noted above, please contact the appropriate Intex Service Center listed in the separate “Authorized Service Centers” sheet. If the item is returned as directed by the Intex Service Center, the Service Center will inspect the item and determine the validity of the claim. If the item is covered by the provisions of the warranty, the item will be repaired or replaced, with the same or comparable item (at Intex’s choice) at no charge to you.

Other than this warranty, and other legal rights in your country, no further warranties are implied. To the extent possibly in your country, in no event shall Intex be liable to you or any third party for direct or consequential damages arising out of the use of your Intex Slide, or Intex or its agents’ and employees’ actions (including the manufacture of the product). If your country does not allow the exclusion or limitation of incidental or consequential damages, this limitation or exclusion does not apply to you.

You should note that this limited warranty does not apply in the following circumstances:

- If the Intex Slide is subject to negligence, abnormal use or application, accident, improper operation, improper maintenance or storage.
- If the Intex Slide is subject to damage by circumstances beyond Intex’s control, including but not limited to, ordinary wear and tear and damage caused by exposure to fire, flood, freezing, rain, or other external environmental forces;
- To parts and components not sold by Intex; and/or.
- To unauthorized alterations, repairs or disassembly to the Intex Slide by anyone other than Intex Service Center personnel.

Injury or damage to any property or person is not covered by this warranty.

Read the owner’s manual carefully and follow all instructions regarding proper operation and maintenance of your Slide. Always inspect your product prior to use. This limited warranty will be void if use instructions are not followed.

## SAVE THESE INSTRUCTIONS