

INTEX® OWNER'S MANUAL

INTEX SOLAR BACKYARD LIGHT

IPX4

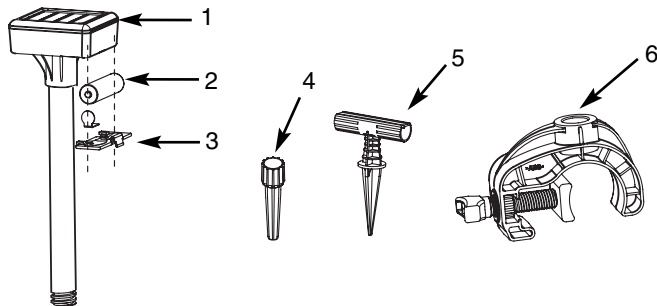
147 IO

⚠ WARNING

- Do not dispose of Ni-MH batteries in regular trash, municipal waste stream or by fire as batteries may leak or explode.
- Do not open, short circuit, or destroy batteries as injury may occur.
- Check your local regulations for proper disposal instructions.
- Preserve our environment by recycling Ni-MH batteries or disposing of them in accordance with Local, State and Federal regulations.
- This product is not a toy, assemble by adult only. Keep away from children.

FOLLOW THESE RULES AND ALL INSTRUCTIONS TO AVOID PROPERTY DAMAGE, ELECTRIC SHOCK, BURNS OR OTHER INJURY.

PARTS LIST



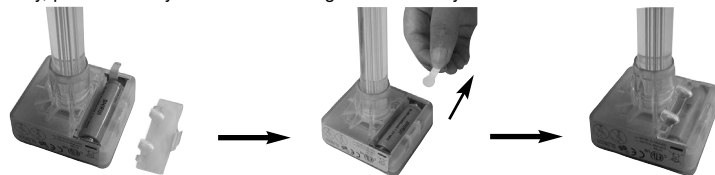
NOTE: Drawings for illustration purpose only. May not reflect actual product. Not to scale. Content includes one solar backyard light color, other colors not included.

REF. NO.	DESCRIPTION	QTY.	SPARE PARTS NO.
1	SOLAR LIGHT	1	11200*
2	NI-MH RECHARGEABLE BATTERY (AA SIZE)	1	
3	BATTERY COVER	1	11197
4	STAKE	1	11201
5	ACCESSORY TOOL	1	11199
6	HOOK	1	11198

* Specify the color of the **LIGHT** when servicing: W=White, G=Green and P=Purple

INSTALLATION INSTRUCTION

1. Open the battery cover (3) and pull out the insulation paper located on the anode (+) side of the battery, put the battery cover back. The light is now ready to use.



SAVE THESE INSTRUCTIONS

IMPORTANT

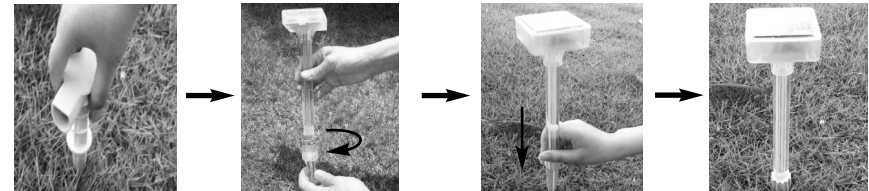
147 IO

To provide better solar efficiency, the unit should be installed in a bright sunny location and not in a shaded area. Always clean the solar panel regularly. The solar panel will charge the battery during daytime and the light will turn on automatically when it gets dark. It will also turn off when it gets bright again. One day's charge will provide an average of 9-12 hours of solar light, depending on weather conditions and sun exposure.

TO INSTALL ON GRASS

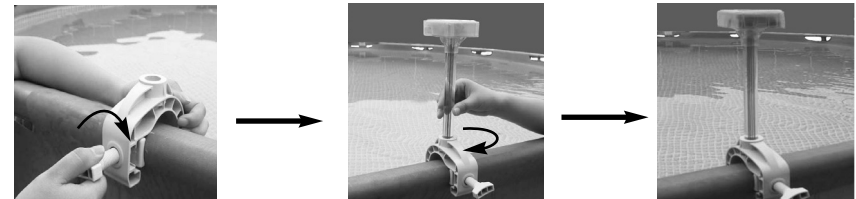
Use accessory tool (5) to drill a hole in the grass where desired; thread the light post into the stake (4) and twist until secure; insert the light assembly into the pre-drilled hole. Keep accessory tool (5) for future use.

NOTE: If the ground is hard and packed, moisten the ground with water before inserting the light assembly.



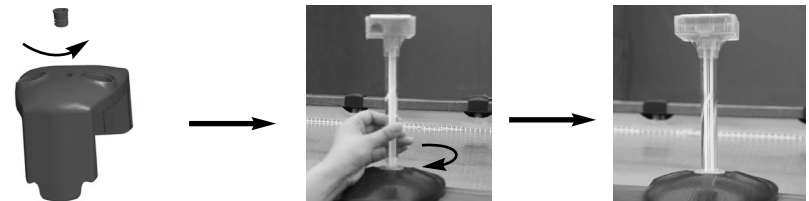
TO INSTALL ON INTEX METAL FRAME POOL & ULTRA FRAME POOL

Install the hook (6) tightly onto the horizontal beam; screw the threaded end of light post into the hole on top of hook (6) and twist until secure.



TO INSTALL ON INTEX WOOD GRAIN FRAME POOL

Use the bolt wrench that came with the Wood Grain Pool to unscrew the cover on top of the clamp; screw the threaded end of light post into the hole of top clamp and twist until secure.



The battery may need to be replaced after longer usage. Use only AA size Ni-MH rechargeable battery for replacement, available at any retail store. For long term storage, remove the battery.

©2008 Intex Marketing Ltd. - Intex Development Co. Ltd. - Intex Trading Ltd. - Intex Recreation Corp. All rights reserved/Tous droits réservés/Todos los derechos reservados/Alle Rechte vorbehalten.

Made in China/Fabrique en Chine/Hecho en China/Hergestellt in China.

®™ Trademarks used in some countries of the world under license from®™ Marques utilisées dans certains pays sous licence de/Marcas registradas utilizadas en algunos países del mundo bajo licencia de/Warenzeichen verwendet in einigen Ländern der Welt in Lizenz von/Intex Marketing Ltd. to/a/an Intex Trading Ltd., Intex Development Co. Ltd., G.P.O. Box 28829, Hong Kong & Intex Recreation Corp., P.O. Box 1440, Long Beach, CA 90801 • Distributed in the European Union by/Distribué dans l'Union Européenne par/Distribuido en la unión Europea por/Vertrieb in der Europäischen Union durch/Intex Trading B.V., P.O. Box nr. 1075 - 4700 BB Roosendaal - The Netherlands



SAVE THESE INSTRUCTIONS